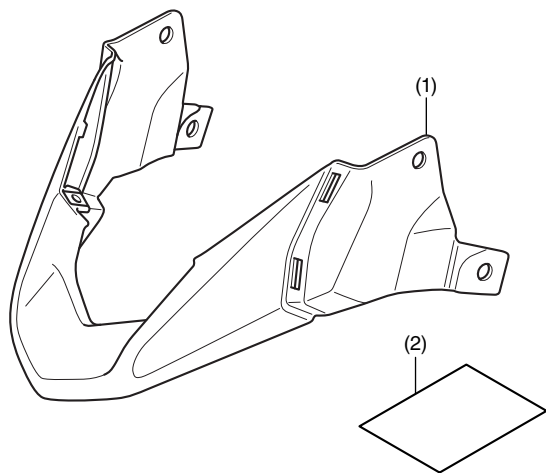


PARTS LIST



No.	Description	Qty
(1)	Front under cover	1
(2)	Installation Instruction URL	1

TORQUE INFORMATION

Refer to the Service Manual for the torque values of the removed parts.

INSTALLATION

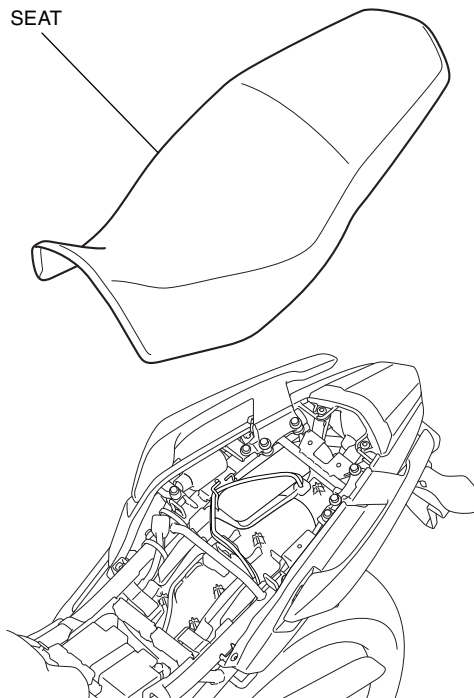
▲ CAUTION

- To prevent burns, allow the engine, exhaust system, radiator, etc., to cool before installing the accessory.

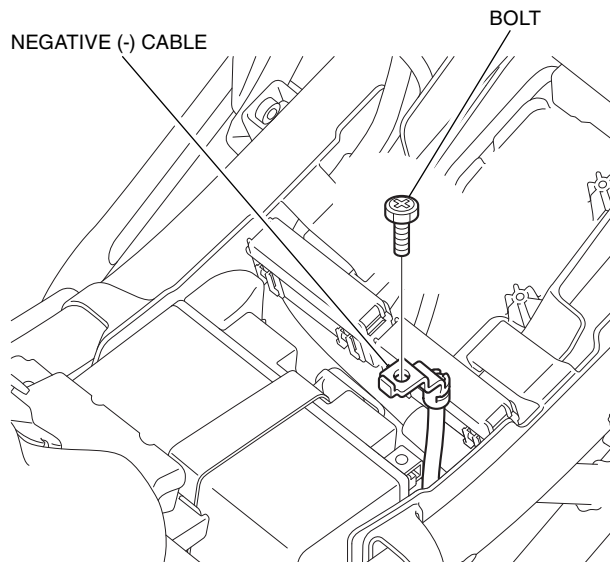
NOTE:

- Take care not to damage the painted surfaces of the motorcycle.
- Reinstall the removed parts on the motorcycle and make sure that wires and harnesses are not pinched.
- Disconnect the negative (-) cable from the battery before installing this accessory.
- The memory of the trip meter will be erased and the clock will stop when the battery is disconnected. After reconnecting the battery, refer to the motorcycle Owner's Manual and reset the clock.

- Refer to the Service Manual for the motorcycle, remove the seat.

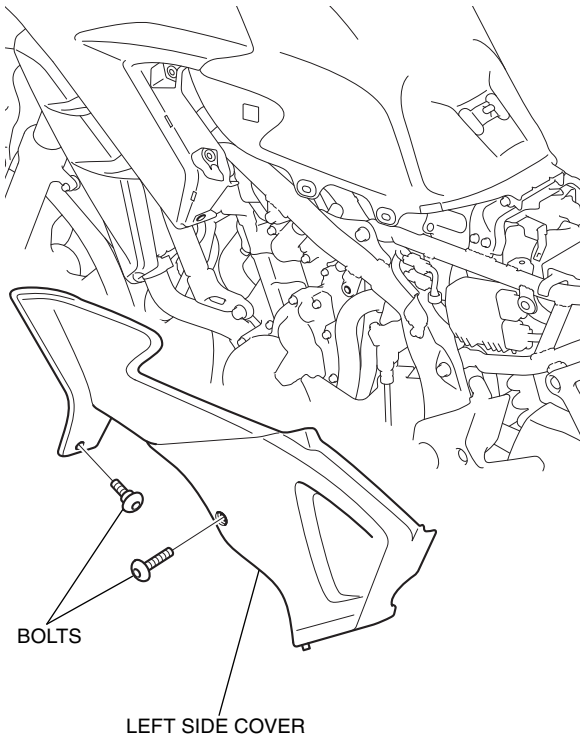


- Disconnect the negative (-) cable from the battery as shown.



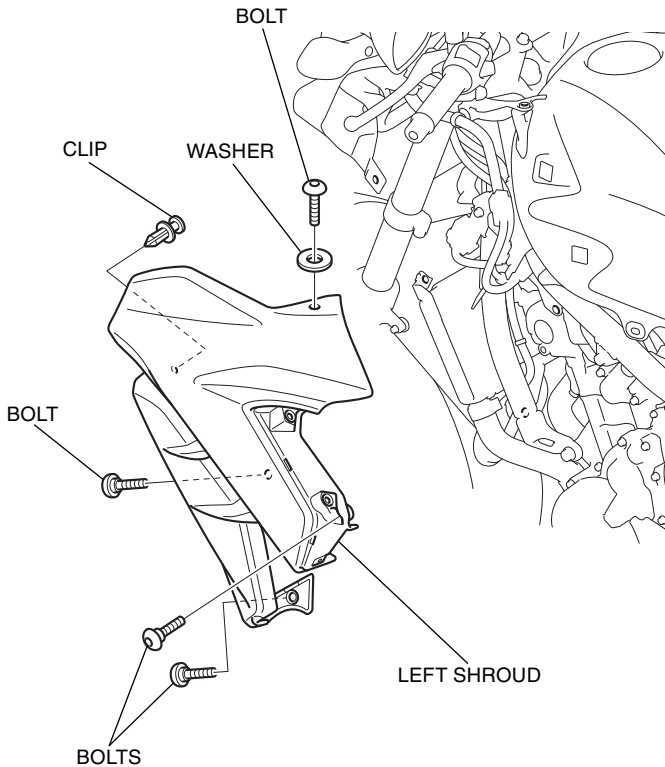
3. Refer to the Service Manual for the motorcycle, remove the left and right side covers.

- Repeat on the right side.

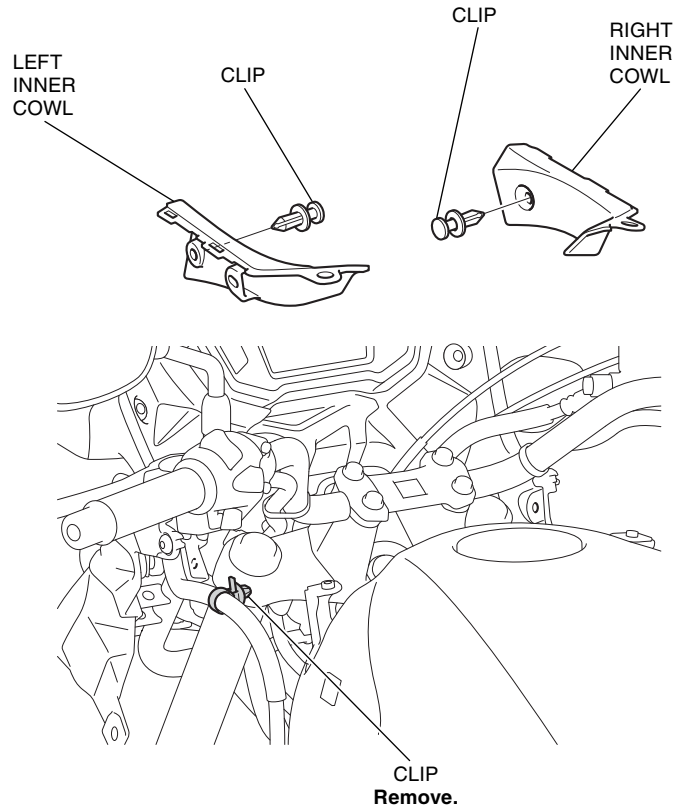


4. Refer to the Service Manual for the motorcycle, remove the left and right shrouds.

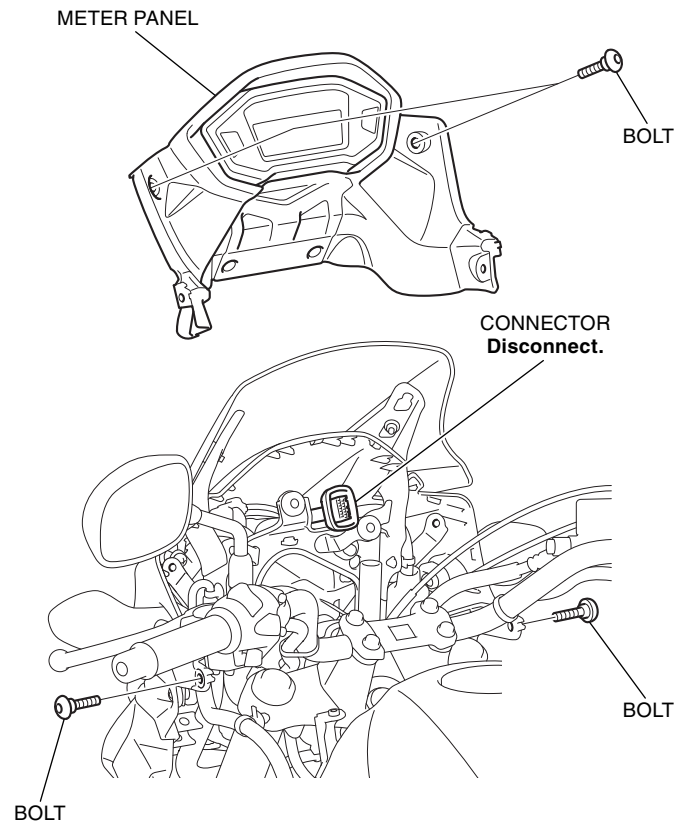
- Repeat on the right side.



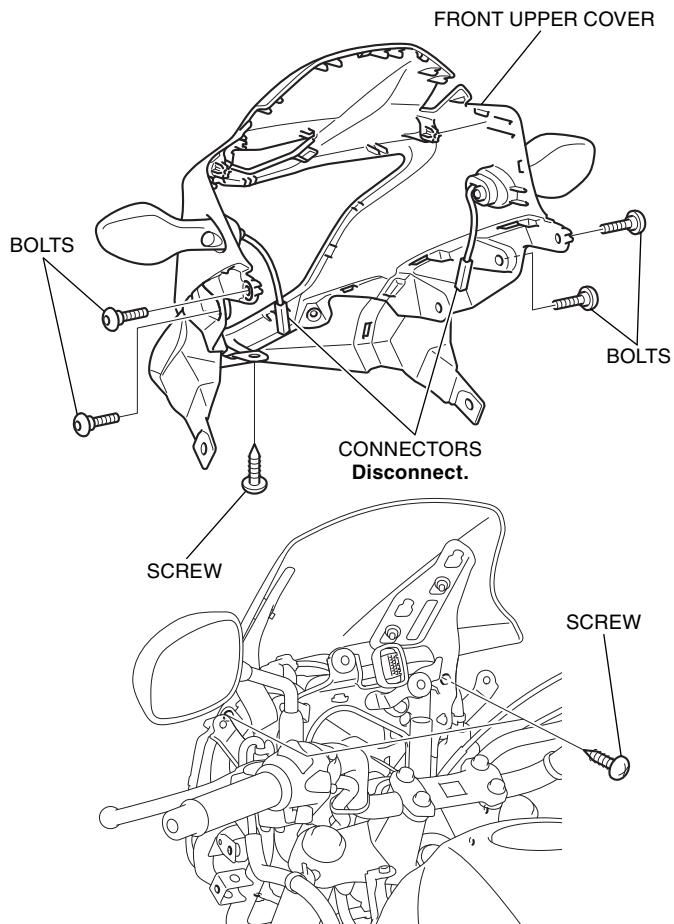
5. Refer to the Service Manual for the motorcycle, remove the left and right inner cowls.



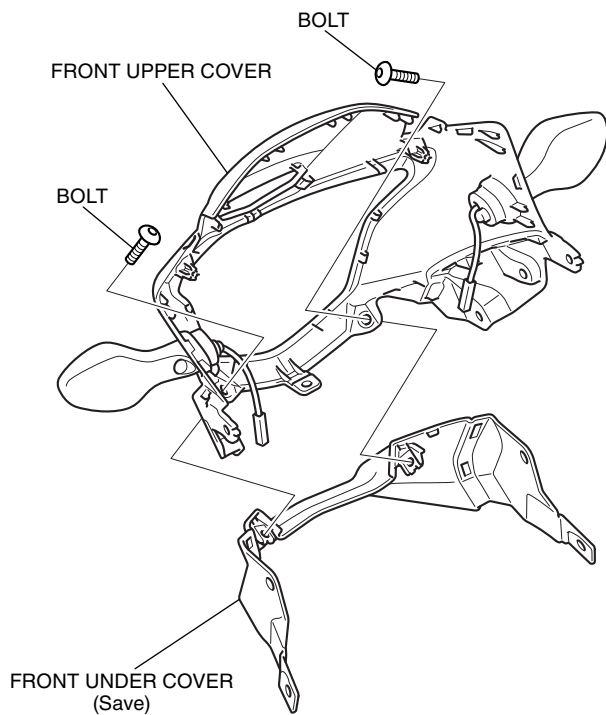
6. Refer to the Service Manual for the motorcycle, remove the meter panel.



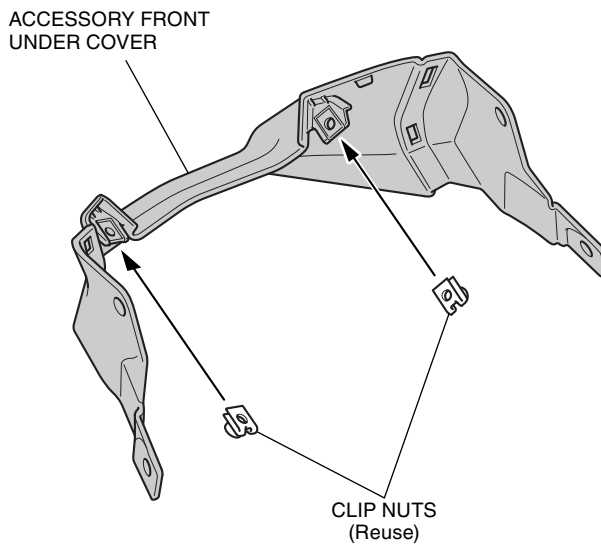
7. Refer to the Service Manual for the motorcycle, remove the front upper cover.



8. Remove the existing front under cover as shown.



9. Exchange the front under cover for the accessory part as shown.



10. Install the accessory front under cover in the reverse order of removal.

11. Install the motorcycle's parts in the reverse order of removal.