

HONDA

INSTALLATION INSTRUCTIONS

Accessory

CHROME GRIP END
P/N 08F73-MJN-D00

Application

CTX1300/D

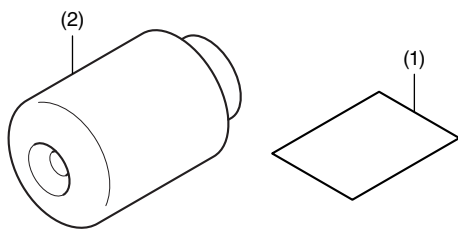
Publication No.

MII 14925

Issue Date

July 2014

PARTS LIST



No.	Description	Qty
(1)	Installation Instructions URL	1
(2)	Handle weight	2

TOOLS REQUIRED

- Ruler
- Thread lock (Medium)
- Isopropyl alcohol
- Shop towel
- Torque wrench

TORQUE CHART

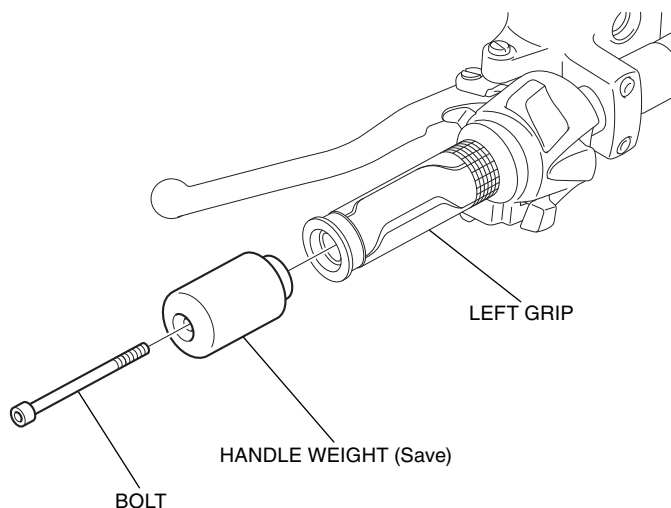
Refer to the Service Manual for the torque values of the removed parts.

INSTALLATION

1. Remove the handle weight as shown.

- Repeat on the right side.

<Left side>



2. Install the accessory handle weight as shown.

- Clean up with isopropyl alcohol before applying thread lock.
- Be sure to apply to the threads of the bolt.
- Repeat on the right side.

