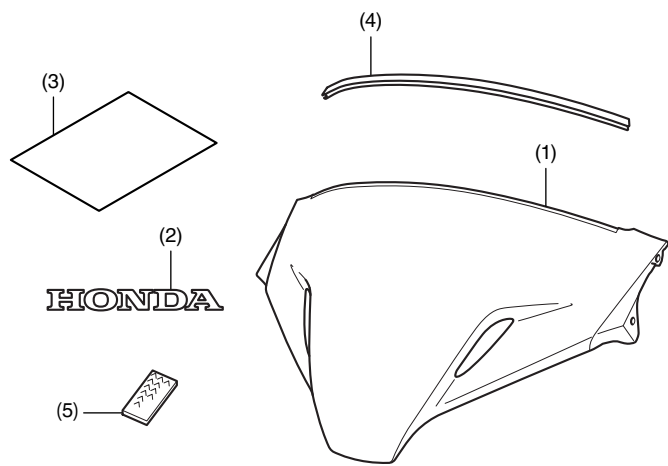


PARTS LIST


No.	Description	Qty
(1)	Screen garnish	1
(2)	Honda emblem	1
(3)	Installation Instruction URL	1
(4)	Moulding	1
(5)	Dual lock fastener	2

SUPPLIES REQUIRED

Ruler

Isopropyl alcohol

Shop towel

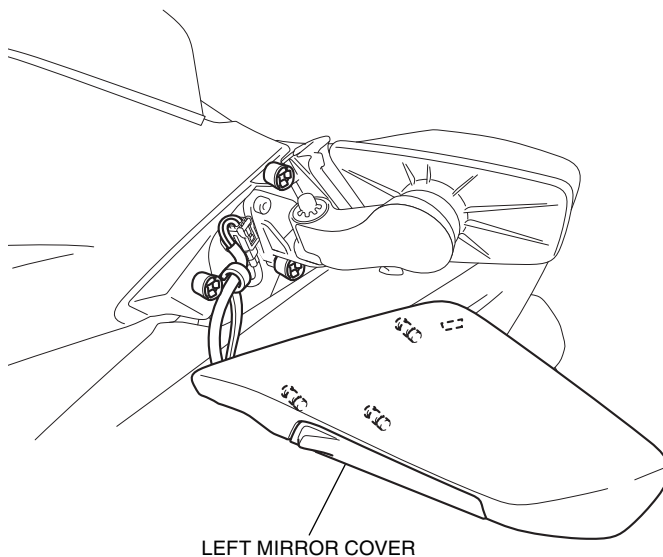
TORQUE CHART

Refer to the Service Manual for the torque values of the removed parts.

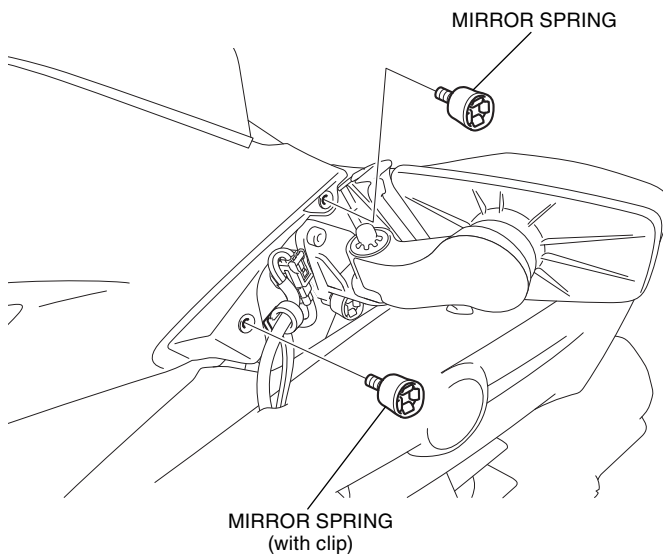
INSTALLATION
NOTE:

- Heat the bonding surfaces with a hair dryer if the ambient air temperature is below 70°F (21°C).
- The adhesive reaches full strength in 72 hours. Wait at least 24 hours before riding your motorcycle.

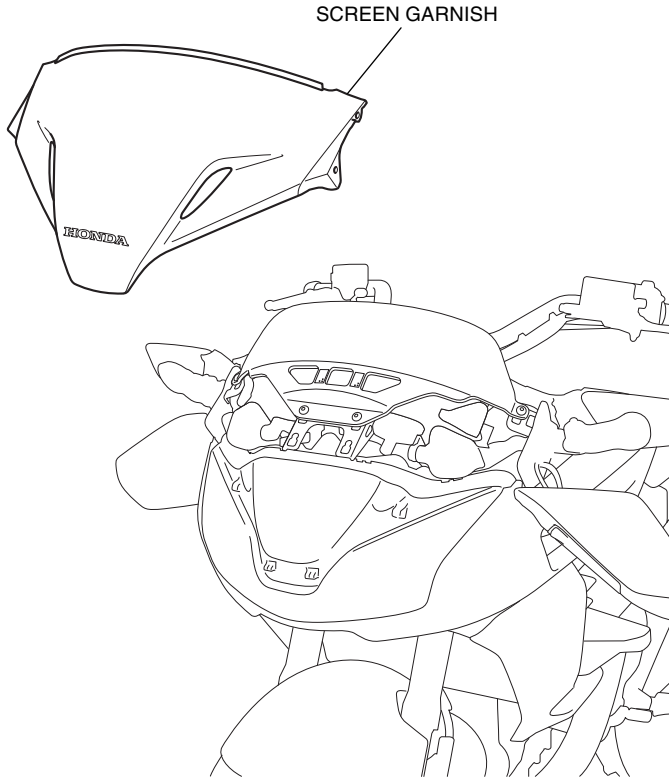
1. Remove the left mirror cover as shown.

<Left side>


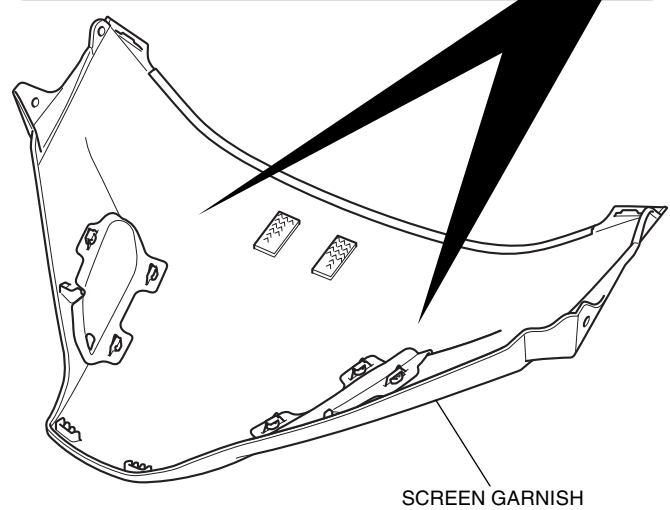
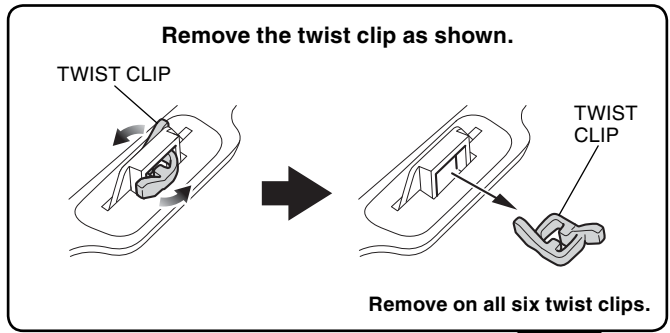
2. Remove the mirror springs as shown.



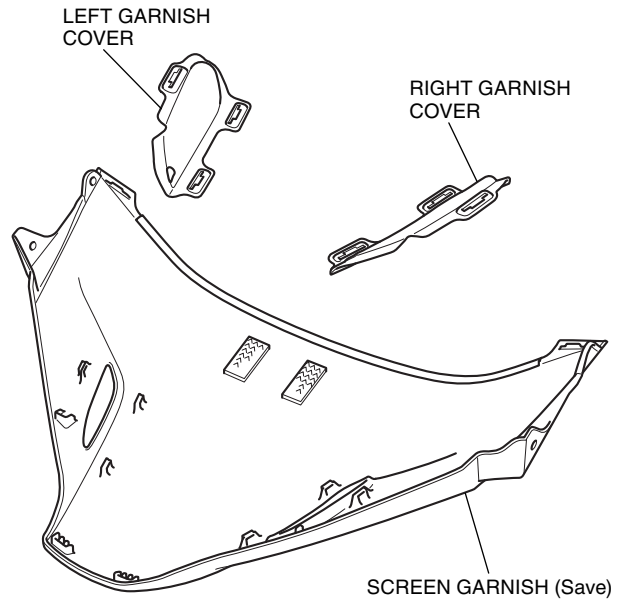
3. Repeat on the right side.
4. Remove the screen garnish as shown.



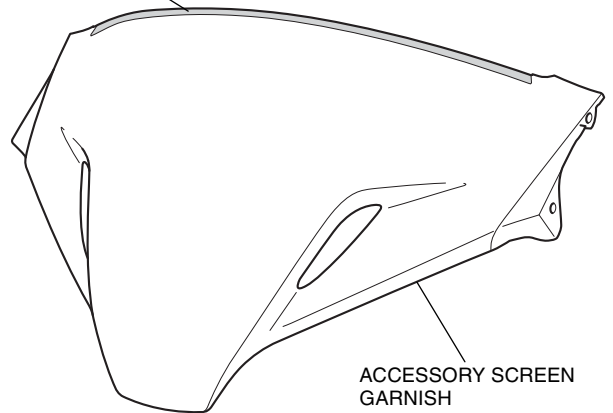
5. Remove the twist clips from the screen garnish as shown.



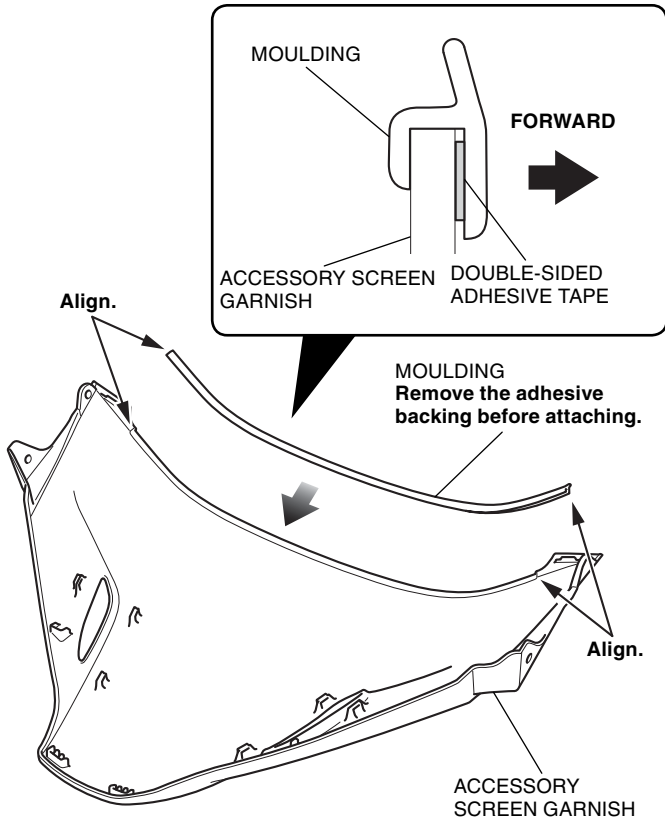
6. Remove the garnish covers as shown.



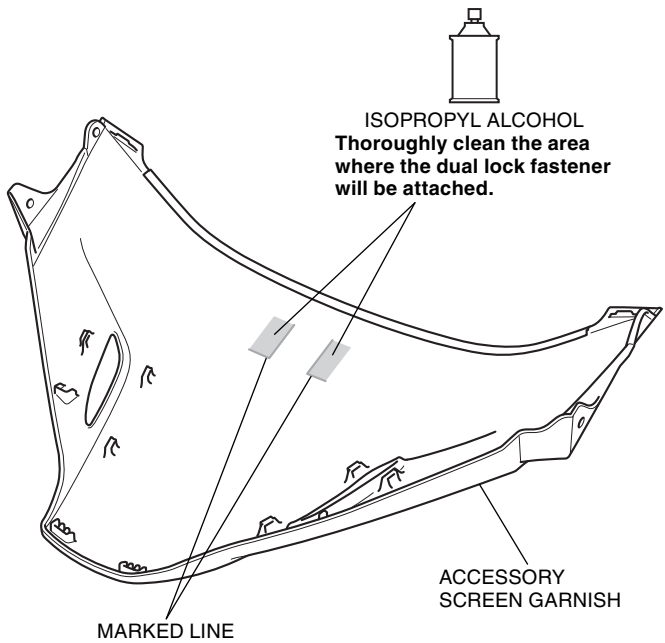
7. Clean the surface of the area shown with isopropyl alcohol.



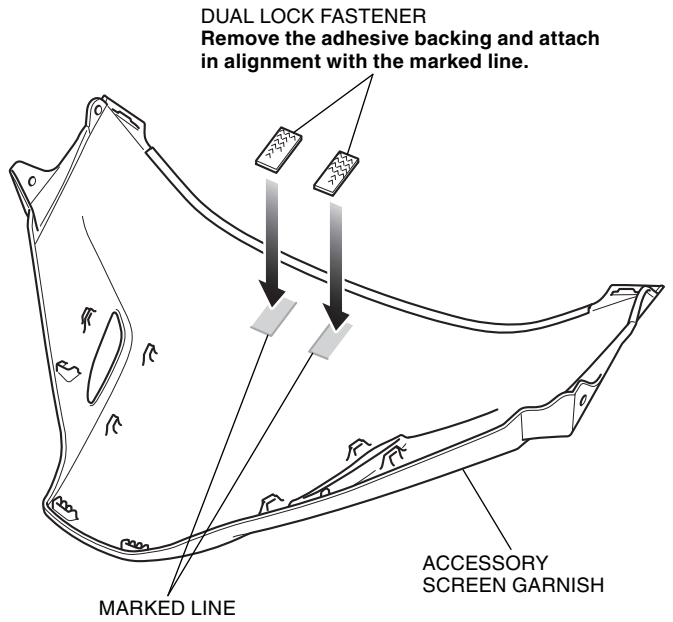
8. Install the moulding to the screen garnish of the accessory as shown.



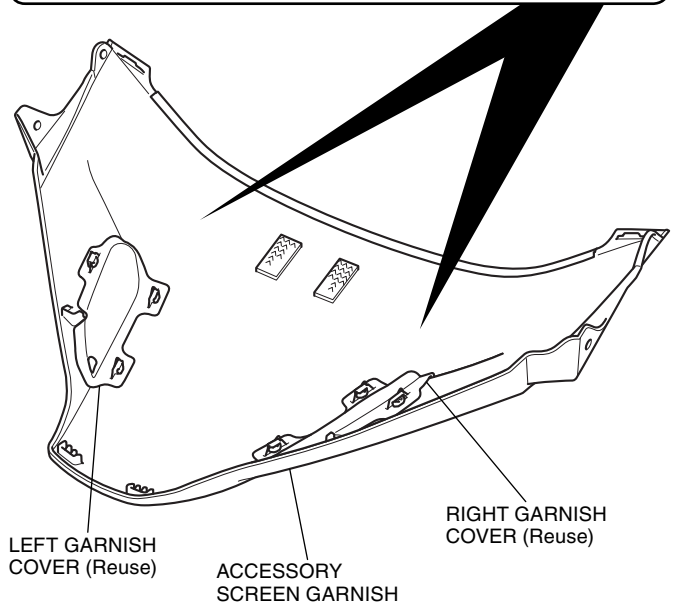
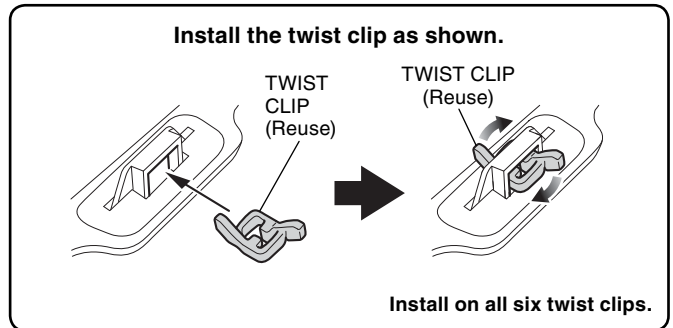
9. Clean the surface of the area shown using an isopropyl alcohol.



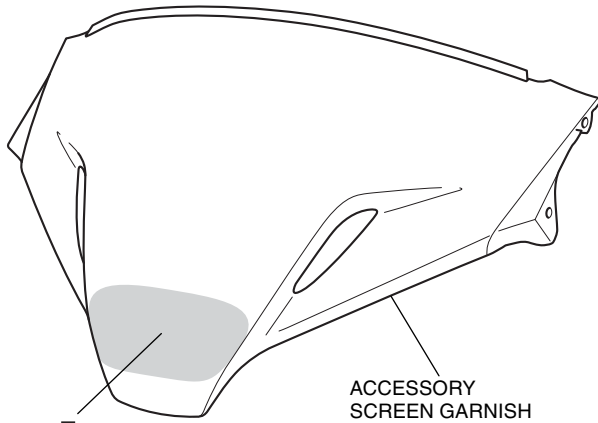
10. Install the dual lock fastener to the accessory screen garnish as shown.



11. Install the garnish covers and the twist clips to the screen garnish as shown.

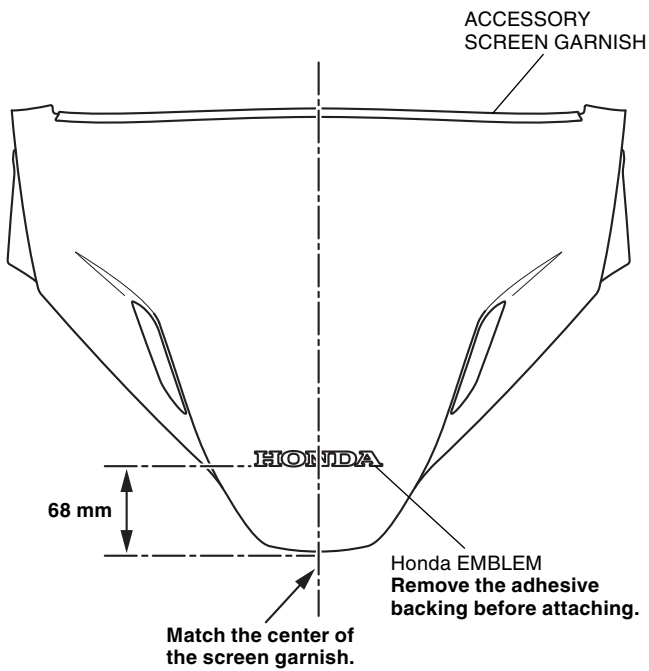


12. Clean the surface of the area shown with isopropyl alcohol.



ISOPROPYL ALCOHOL
Thoroughly clean the area
where the Honda emblem
will be attached.

13. Attach the emblem in the position shown.



14. Install the accessory screen garnish in the reverse order of removal.

15. Install the right and left mirror cover in the reverse order of removal.