



INSTALLATION INSTRUCTIONS

Accessory

WHEEL STRIPES
P/N 08F71-MKC-A10ZA
08F71-MKC-A10ZB

Application

GL1800/D/DA
GL1800B/BD

Publication No.

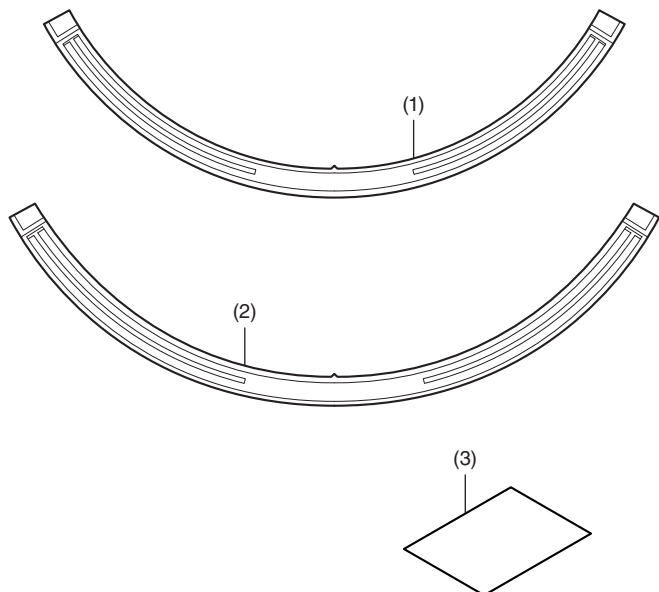
MII

Issue Date

January 2018

Honda Dealer: Please give a copy of these instructions to your customer.

PARTS LIST



No.	Description	Qty
(1)	Rear wheel stripe	6
(2)	Front wheel stripe	6
(3)	Installation Instructions URL	1

SUPPLIES REQUIRED

- Masking tape
- Ruler
- Isopropyl alcohol
- Shop towel

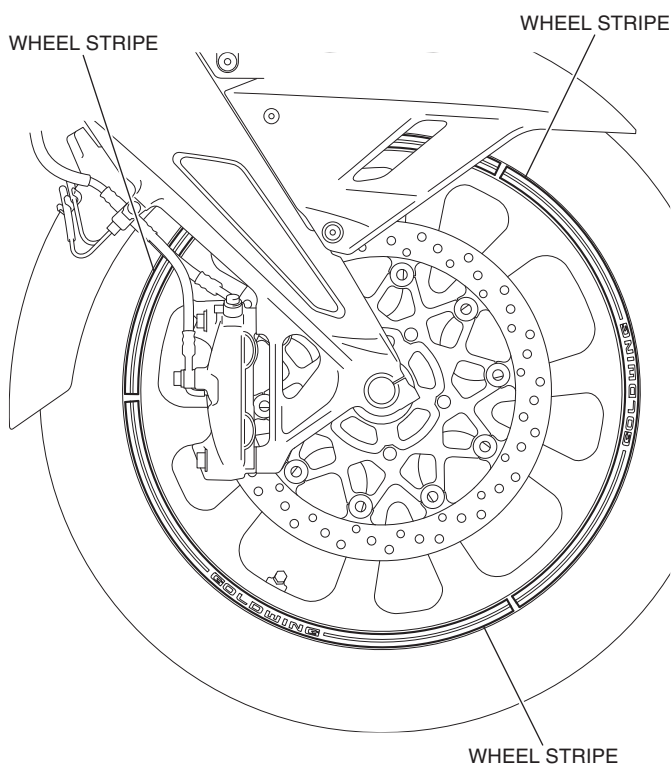
INSTALLATION

▲ CAUTION

- To prevent burns, allow the engine, exhaust system, radiator, etc., to cool before installing the accessory.

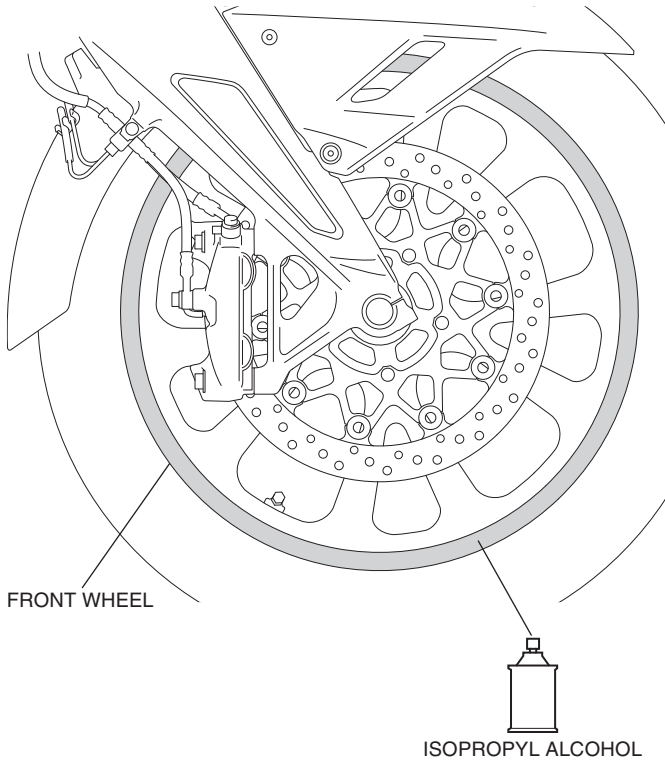
NOTE:

- Heat the bonding surfaces with a hair dryer if the ambient air temperature is below 70°F (21°C).
- The adhesive reaches full strength in 72 hours. Wait at least 24 hours before riding your motorcycle.
- To properly install this accessory, raise the motorcycle using a lift or maintenance stand and adjusting the space between the wheel stripe and rim.
- Attach the three wheel stripes to the one side of the wheel as shown.

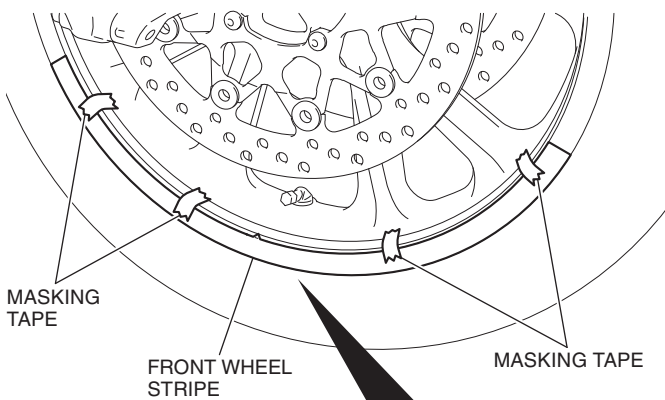


1. Clean the surface of the area shown using isopropyl alcohol.

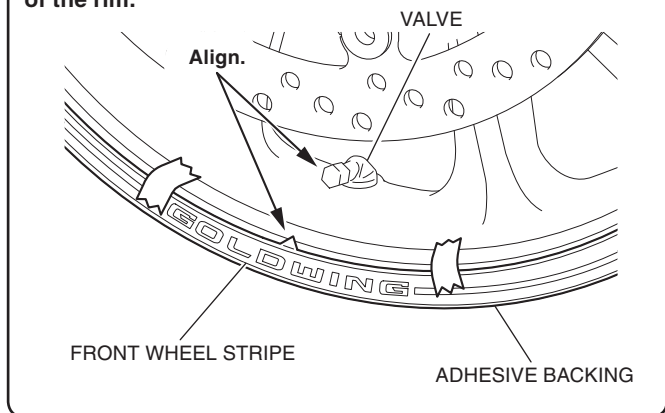
<Right side>



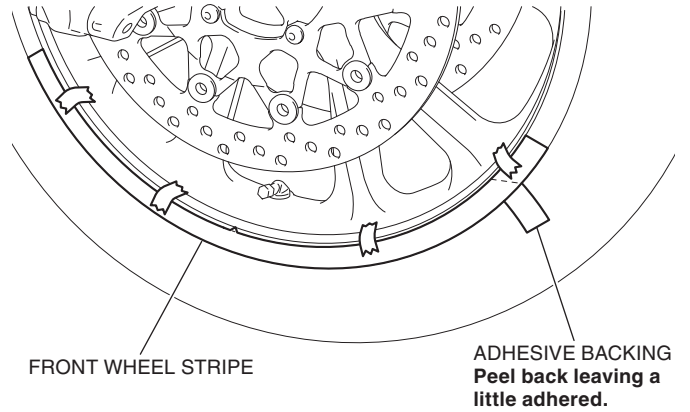
2. Temporarily install the front wheel stripe as shown.



Temporarily install the front wheel stripe with the center of the rim.

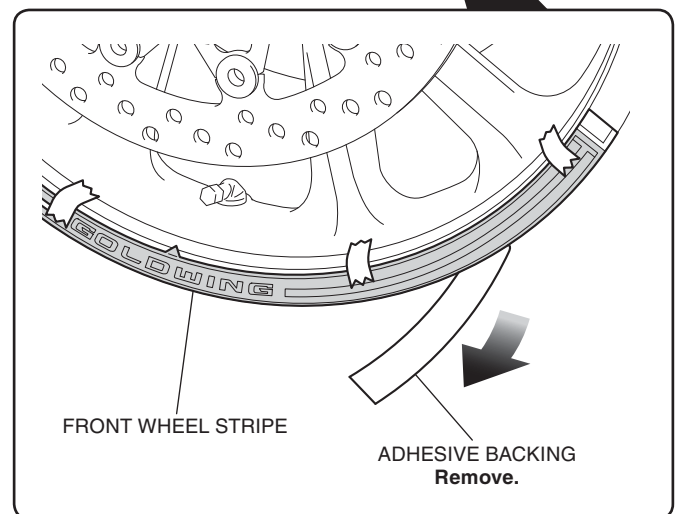
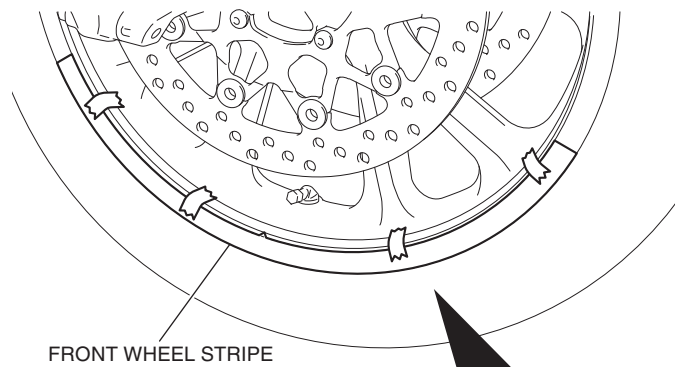


3. Partly remove the adhesive backing from behind the front wheel stripe as shown.

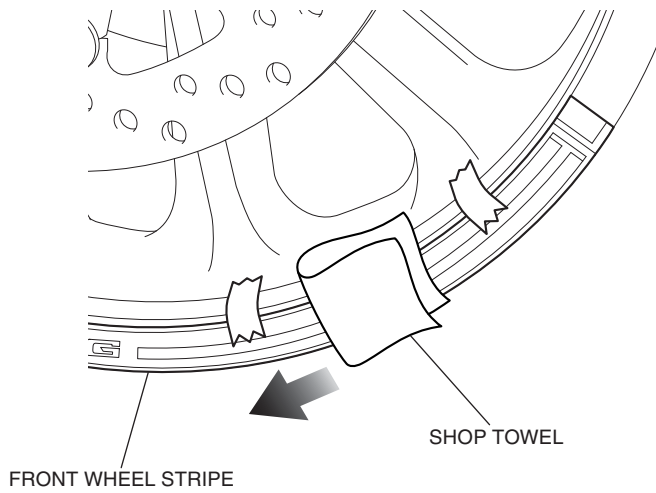


4. Attach the front wheel stripe as shown.

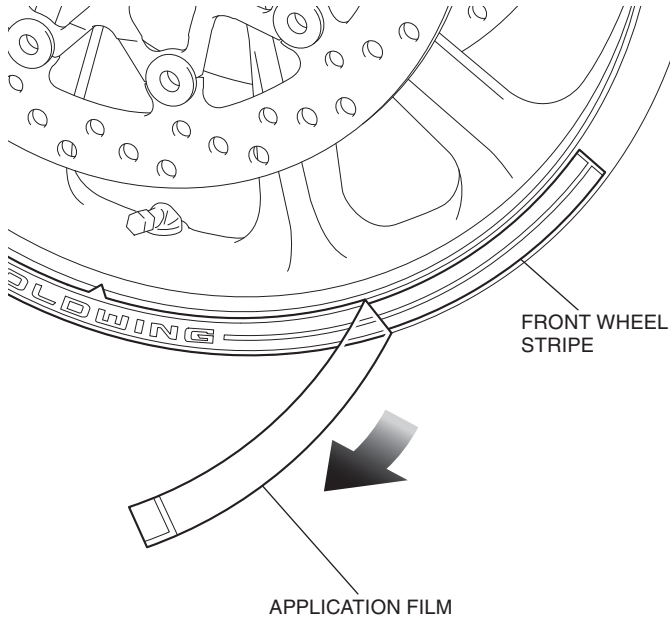
- Do not pull or stretch the wheel stripe while installing.
- Ensure equal spacing between the wheel stripe and edge of the rim.



5. Remove any air bubbles using a soft cloth or shop towel.

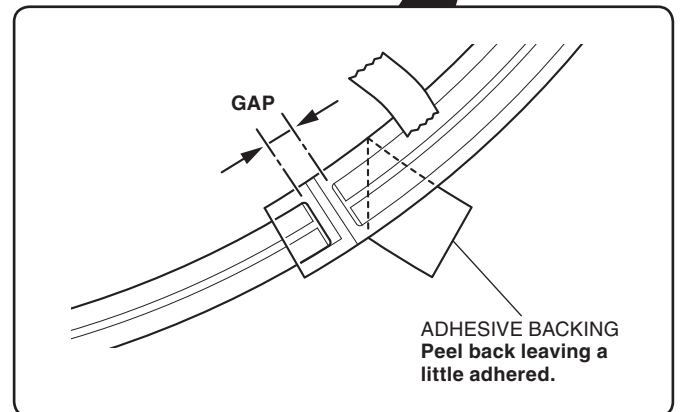
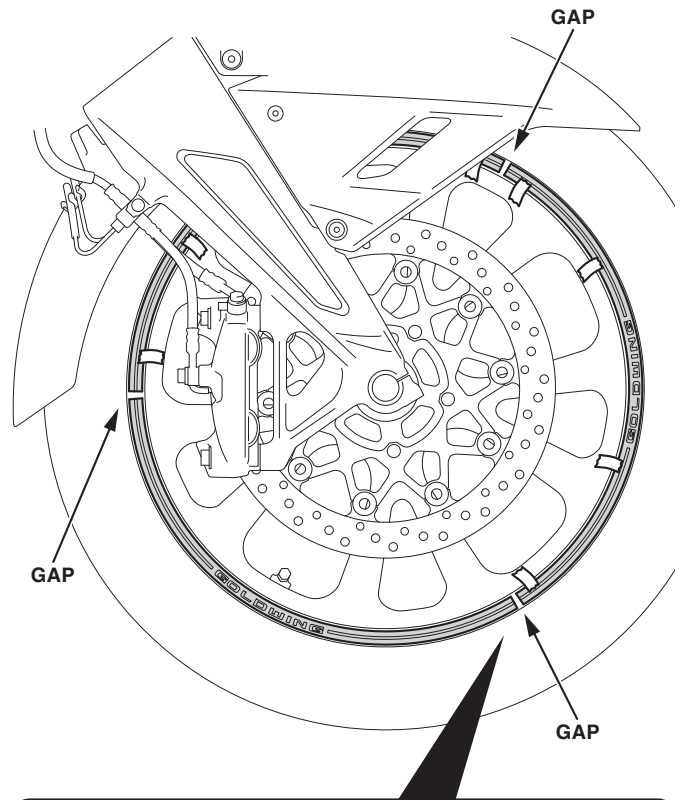


6. Remove the masking tape and application film as shown.



7. Temporarily install the second and third front wheel stripes in the same manner as the first front wheel stripe.

- **Ensure (make sure) there is proper spacing between each wheel stripe.**



8. Attach the second and third front wheel stripes in the same manner as the first front wheel stripe.

9. Install the left side of the front wheel stripe in the same manner as the right side.

10. Install the rear wheel stripe in the same manner as the front wheel.