



INSTALLATION INSTRUCTIONS

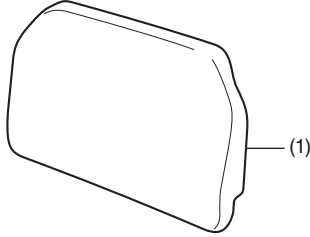
Accessory
BACKREST
P/N 08F00-MJP-G50

Application
CRF1100A/A4/D/D4

Publication No.
MII 17351
Issue Date
February 2020

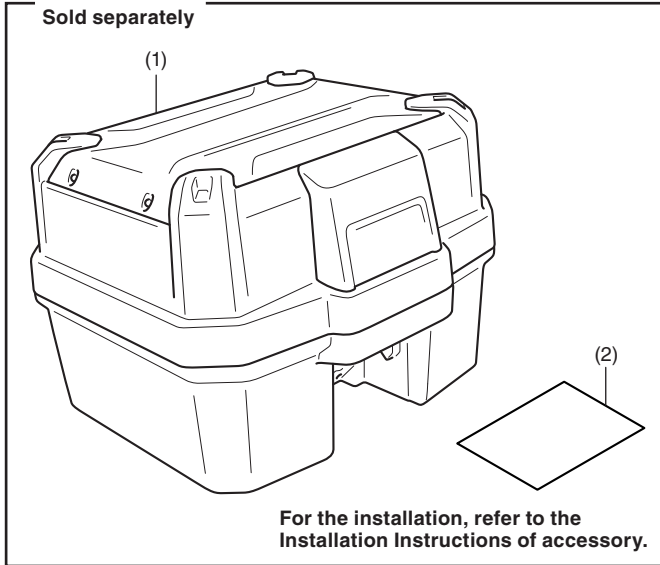
Honda Dealer: Please give a copy of these instructions to your customer.

PARTS LIST



No.	Description	Qty
(1)	Backrest	1

TOP CASE Sold separately



No.	Description	Qty
(1)	Top case	1
(2)	Installation Instruction URL	1

SUPPLIES REQUIRED

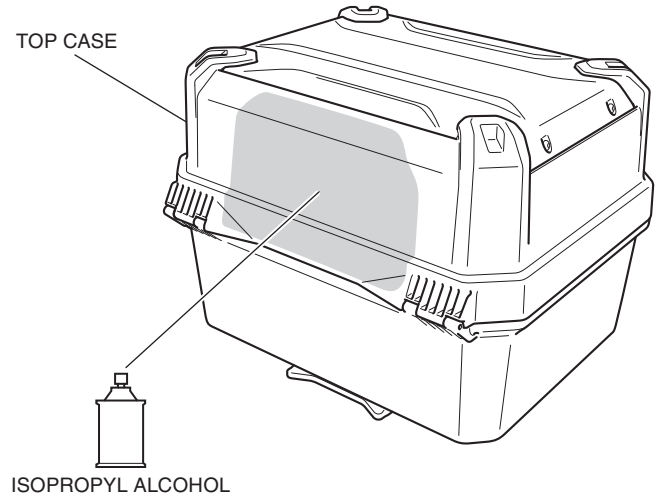
Isopropyl alcohol
Shop towel

INSTALLATION

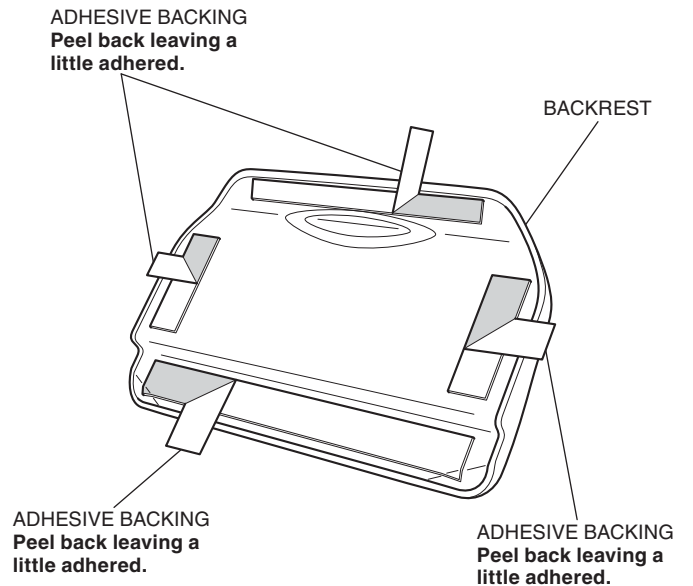
NOTE:

- Heat the bonding surfaces with a hair dryer if the ambient air temperature is below 70°F (21°C).
- The adhesive reaches full strength in 72 hours. Wait at least 24 hours before riding your motorcycle.

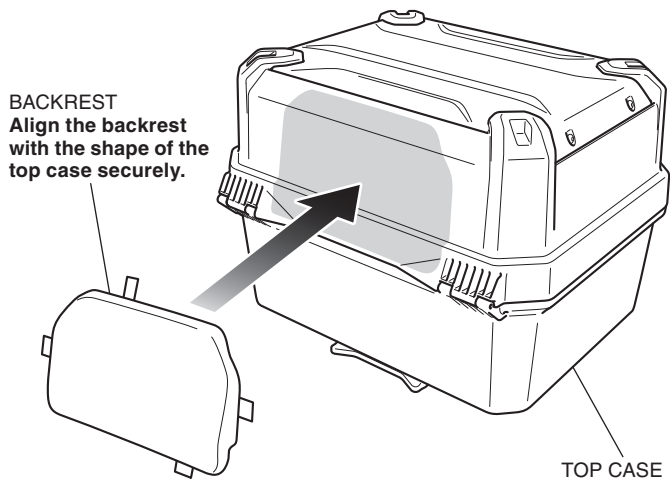
1. Clean the surface of the area shown using isopropyl alcohol.



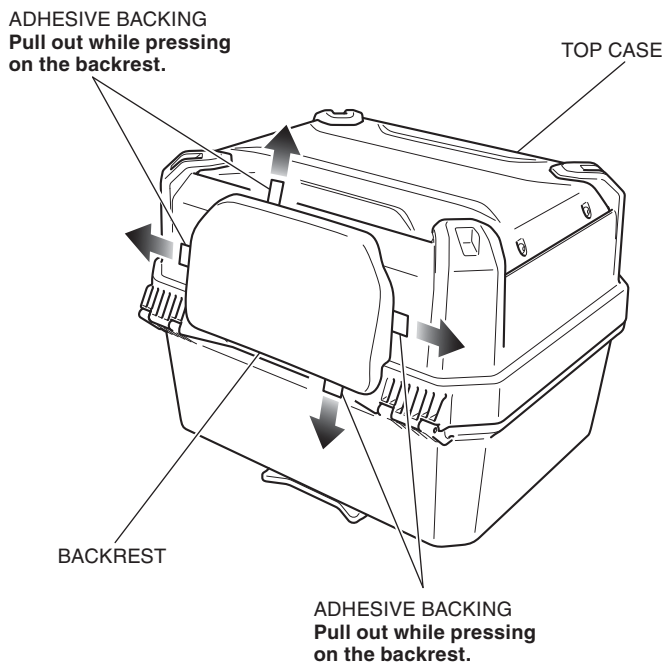
2. Peel the end of the adhesive backings a little so that they are attached to the inner side of the backrest.



3. Attach the backrest as shown.



4. Pressing the backrest with your palm, remove the adhesive backings from the inner side of the backrest and attach the backrest securely.



5. Apply adequate pressure to the attached backrest.