



INSTALLATION INSTRUCTIONS

Accessory

USB CHARGER
P/N 08E73-MKW-D00

Application

NC750XA/XD

Publication No.

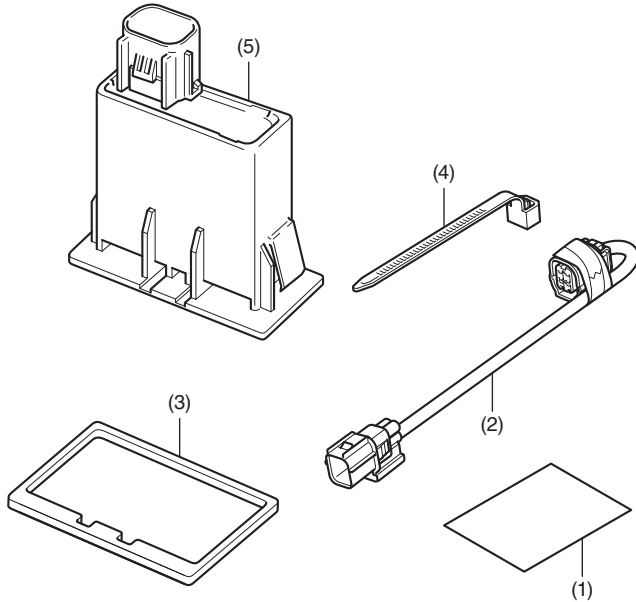
MII 17714

Issue Date

April 2021

Honda Dealer: Please give a copy of these instructions to your customer.

PARTS LIST



No.	Description	Qty
(1)	Installation instructions	1
(2)	USB sub harness	1
(3)	Rubber	1
(4)	Wire tie	1
(5)	USB charger	1

TORQUE CHART

Refer to the Service Manual for the torque values of the removed parts.

INSTALLATION

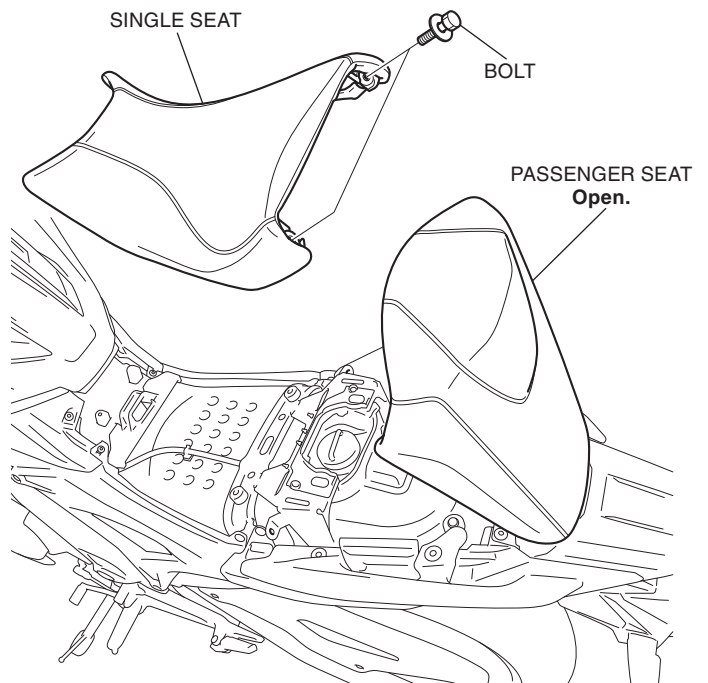
▲ CAUTION

- To prevent burns, allow the engine, exhaust system, radiator, etc., to cool before installing the accessory.

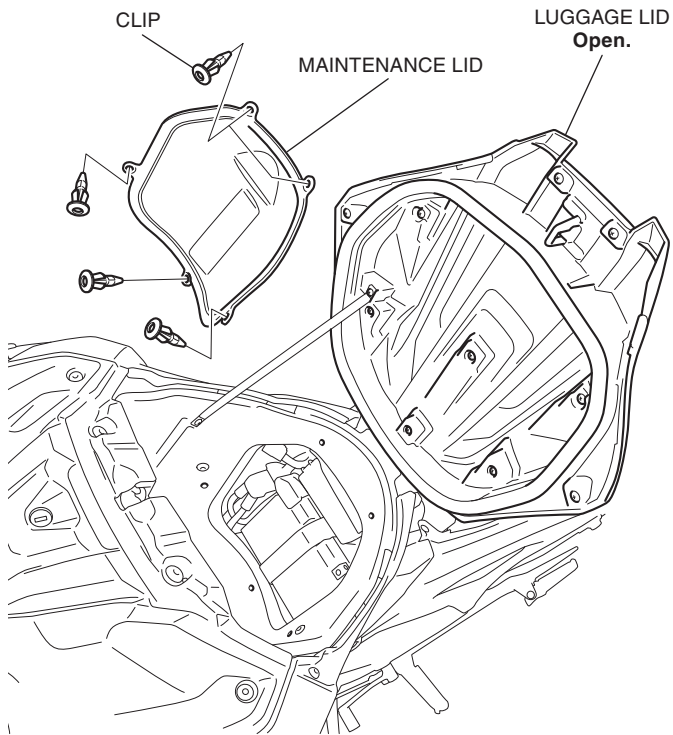
NOTE:

- Refer to this manual and the Front LED fog light attachment Installation Instructions when the motorcycle is equipped with the Front LED fog light.
- Disconnect the negative (-) cable from the battery before installing this accessory.
- The clock will be erased when you disconnect the battery. Reset the clock after reconnecting the battery.
- Reinstall the removed parts on the motorcycle and make sure that the wires and harnesses are not pinched.

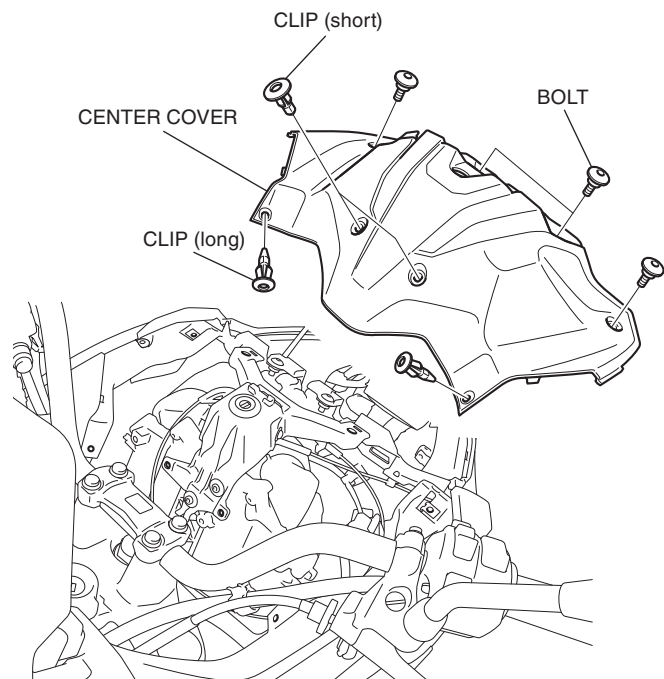
- Open the passenger seat, and remove the single seat as shown.



2. Open the luggage lid, and remove the maintenance lid and disconnect the negative (-) cable of the battery.

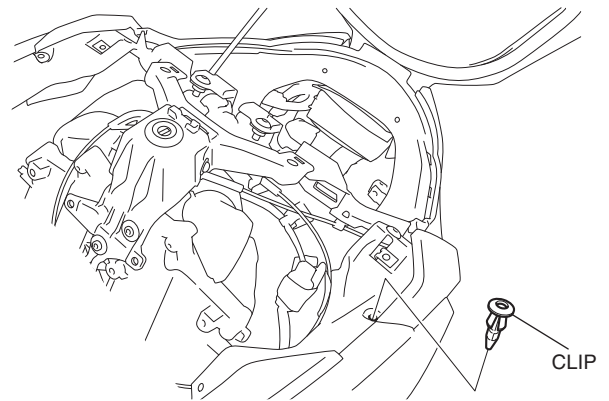


3. Remove the center cover as shown.



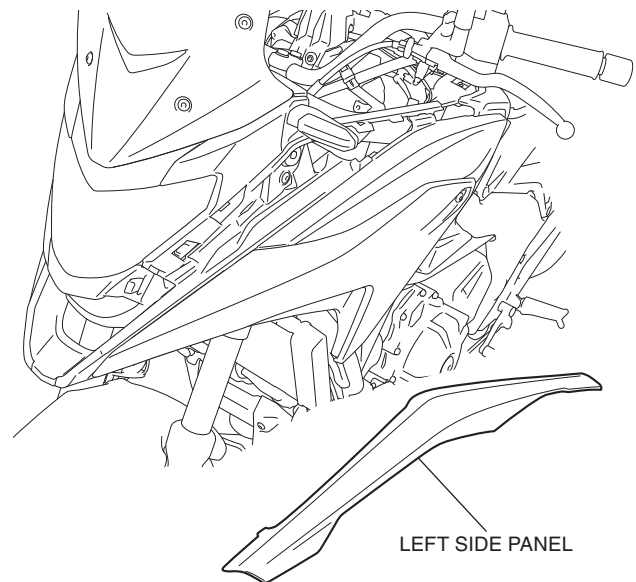
4. Remove the clip as shown.

<Left side>

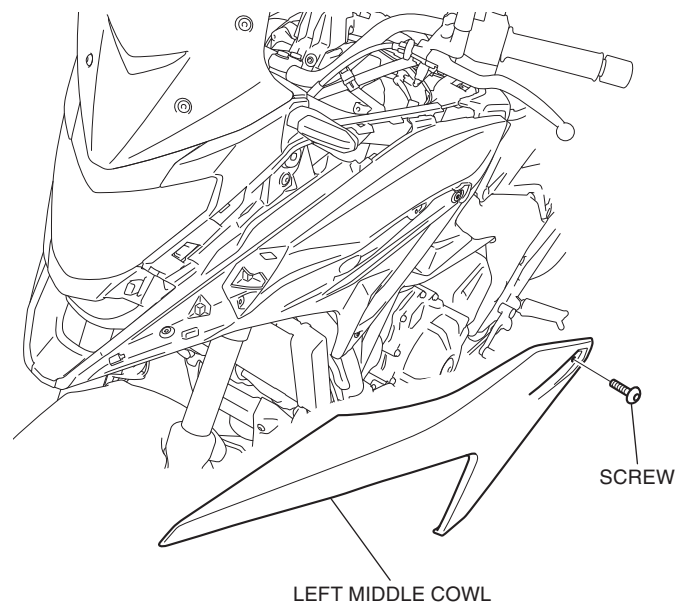


5. Remove the left side panel as shown.

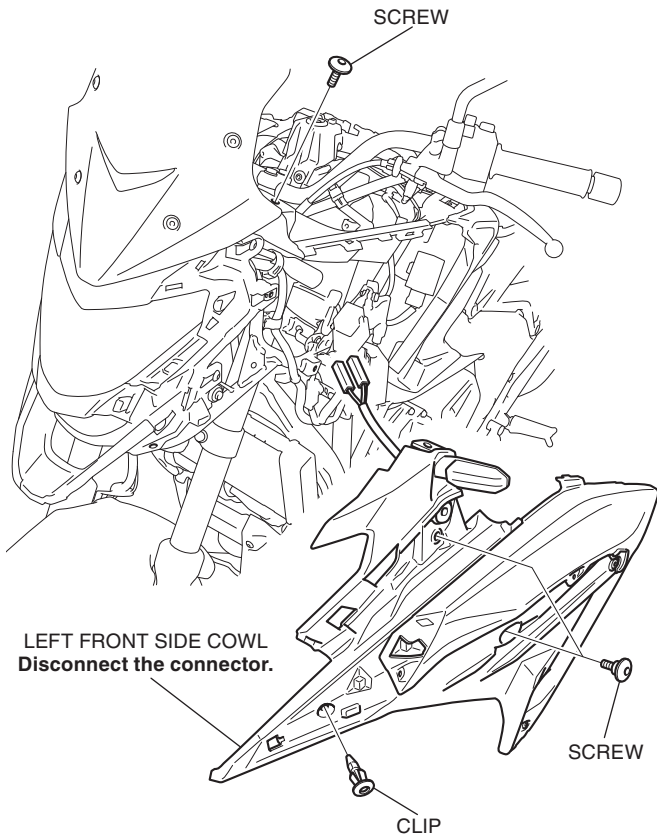
<Left side>



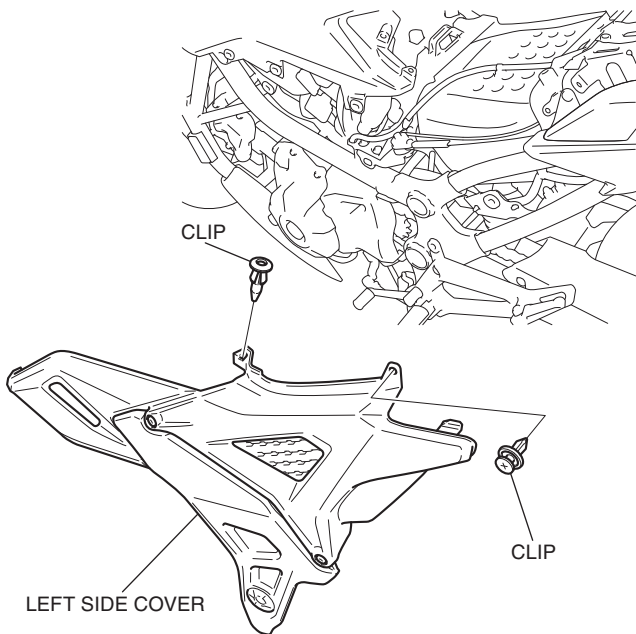
6. Remove the left middle cowl as shown.



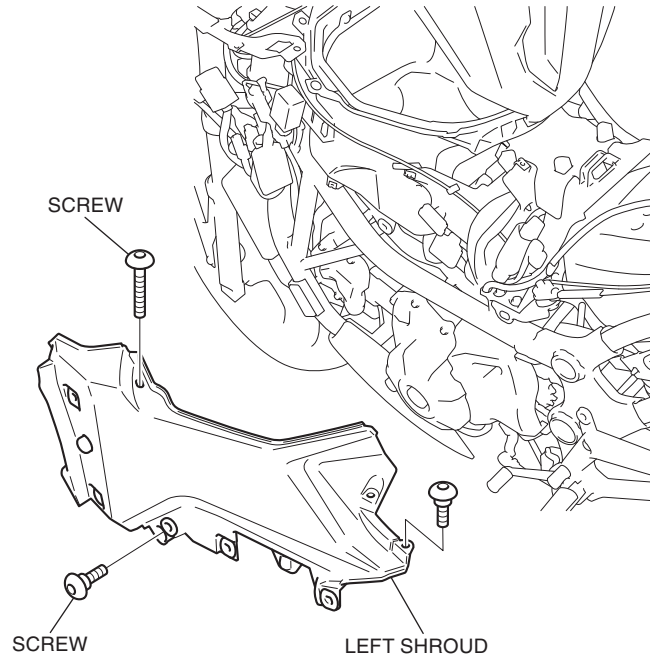
7. Remove the left front side cowl as shown.



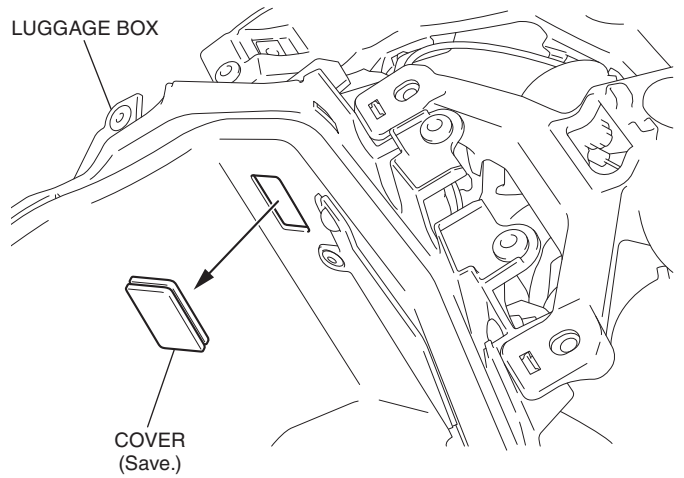
8. Remove the left side cover as shown.
<Left side>



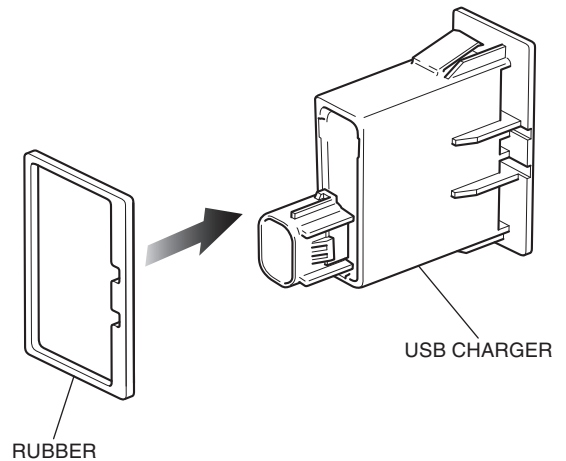
9. Remove the left shroud as shown.



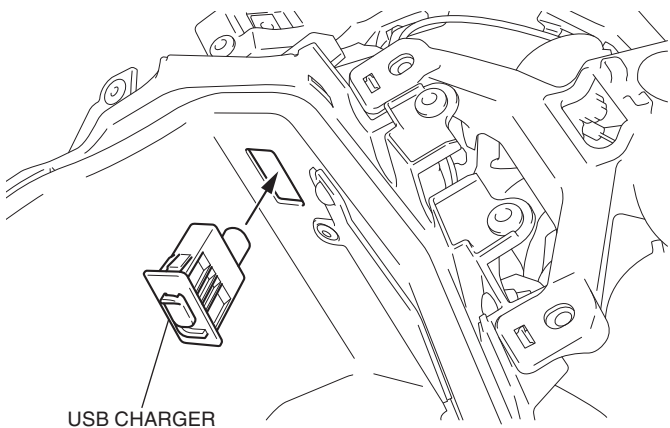
10. Remove the cover as shown.
<Left side>



11. Install the rubber as shown.



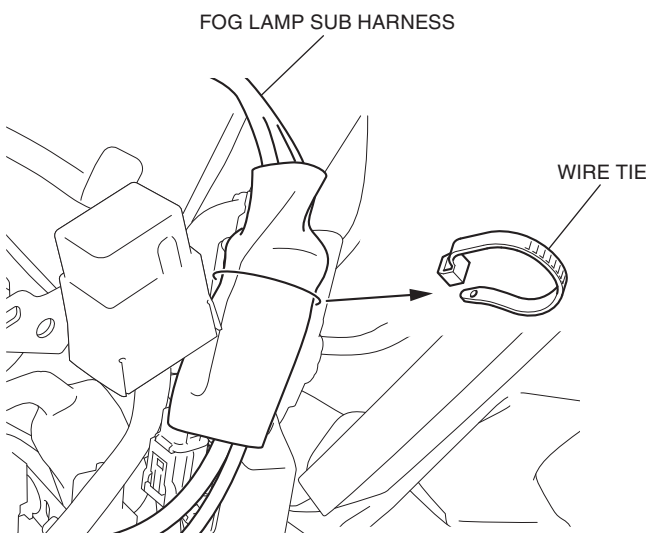
12. Install the USB charger as shown.



13. Remove the wire tie as shown.

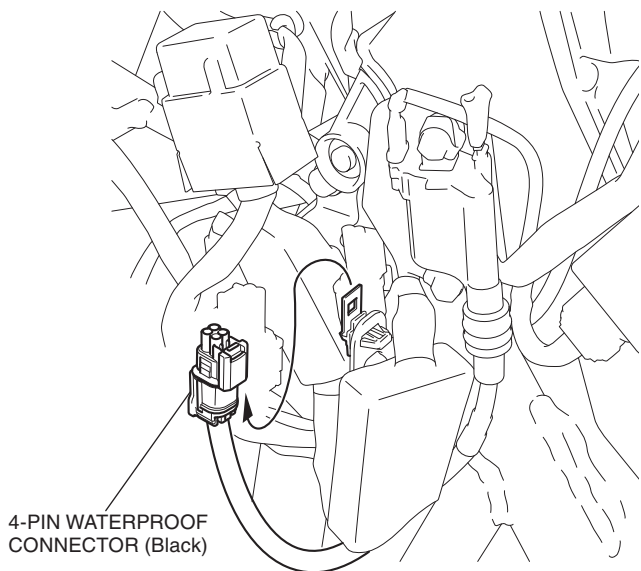
- Perform this step if the motorcycle is equipped with the front LED fog light.

<Left side>

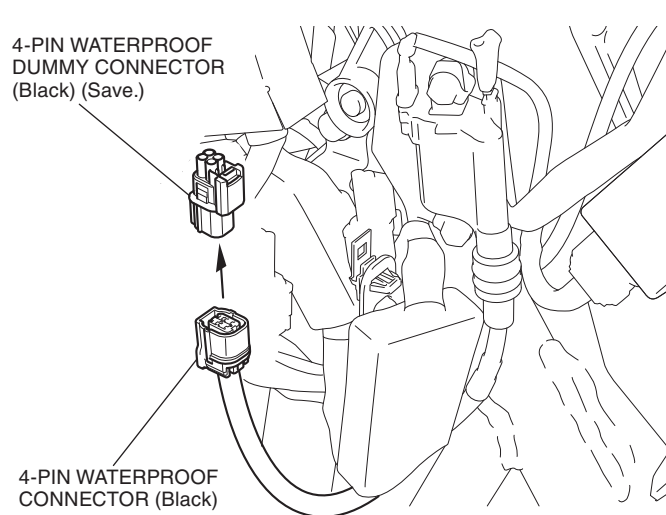


14. Remove the connector as shown.

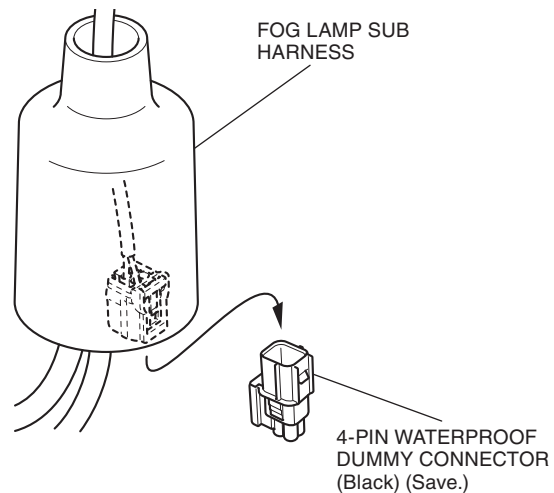
<Left side>



15. Remove the dummy connector as shown.

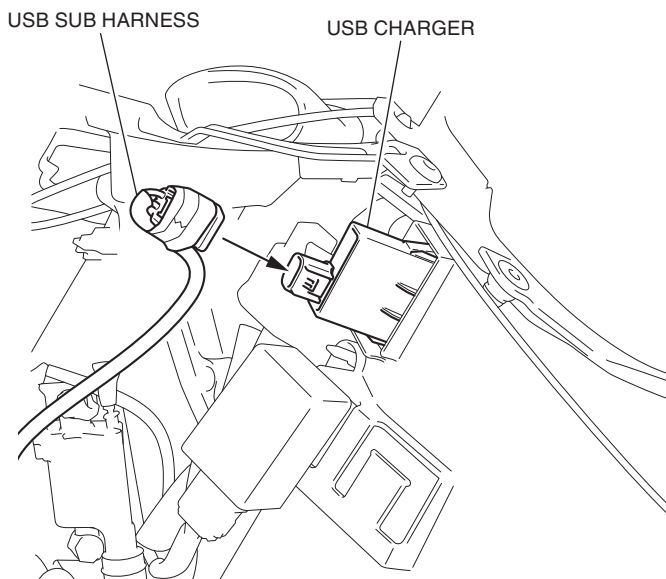


Motorcycle equipped with the Front LED fog light

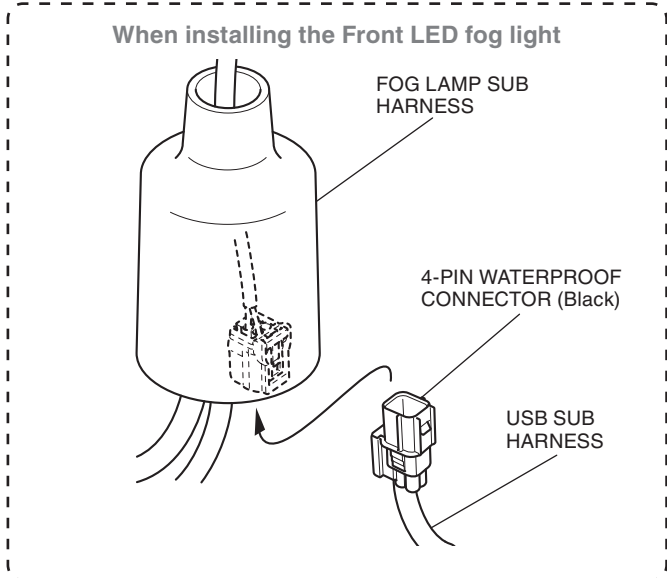
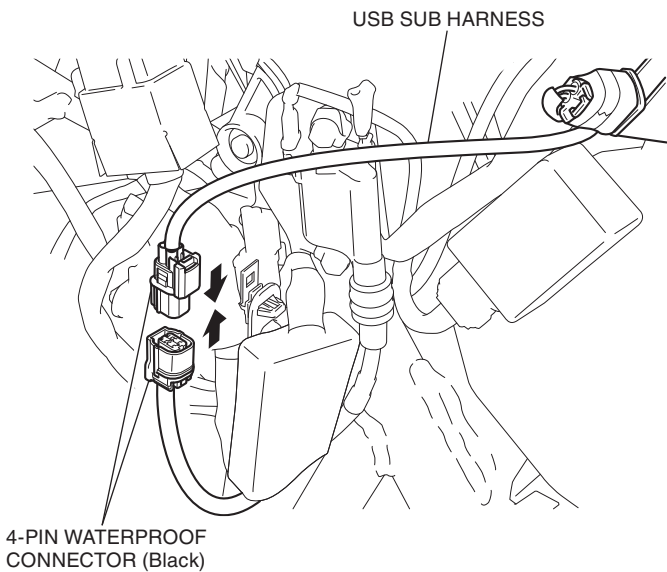


16. Connect the USB sub harness as shown.

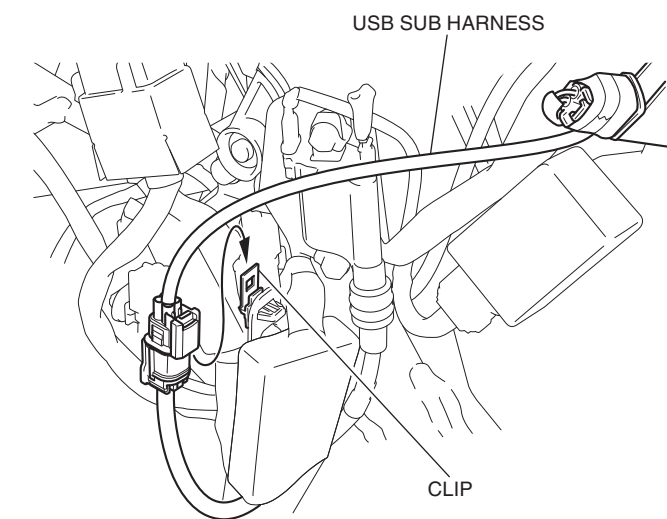
<Left side>



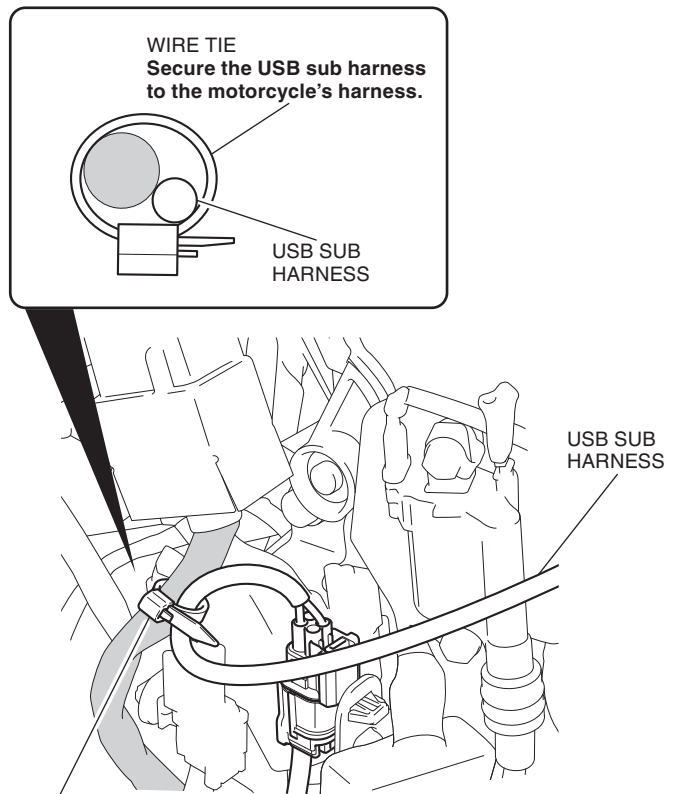
17. Route and connect the USB sub harness as shown.



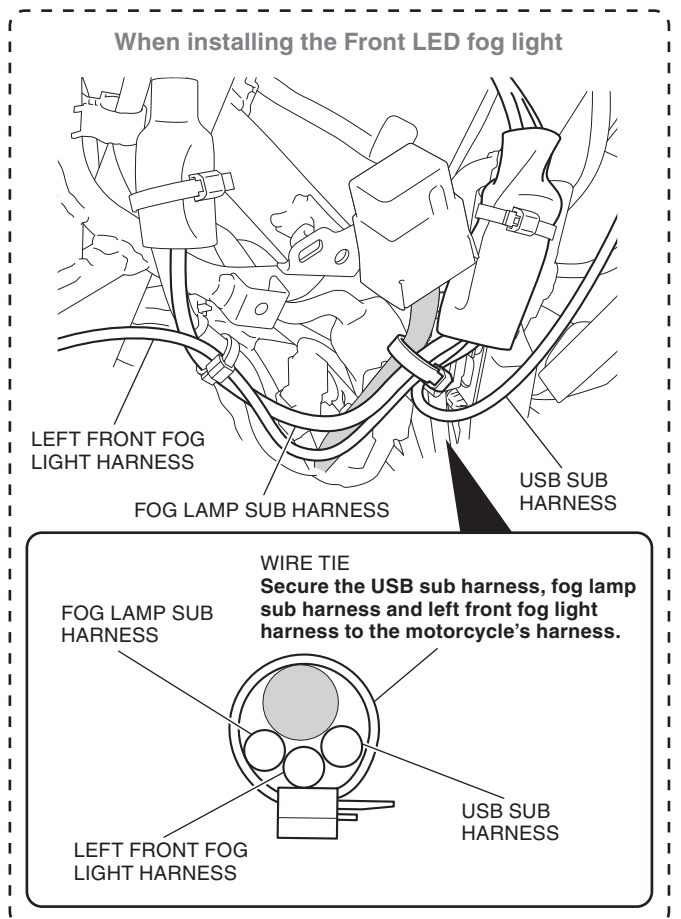
18. Secure the USB sub harness as shown.



19. Secure the USB sub harness with the wire tie as shown.



WIRE TIE
Secure the USB sub harness to the motorcycle's harness.



20. Install the motorcycle's parts in the reverse order of removal.
 - **Confirm that the wire harness is not caught or too tight.**
21. Check the USB charger, headlight and the other lights for proper operation.